



Perma Tech, Inc.

"Your Single Source for ALL Your Loading Dock Needs"

Perma Seals & Shelter Survey

Company Name: _____ Date: _____

Contact: _____ Job: _____

Qty of units (_____) City: _____ State: _____ Zip: _____

Door Size: _____ Tel: (_____) _____ - _____ Email: _____

_____ "W x _____ "H

Bumper Depth: _____ "

Dock Height: _____ "

Drive Approach:

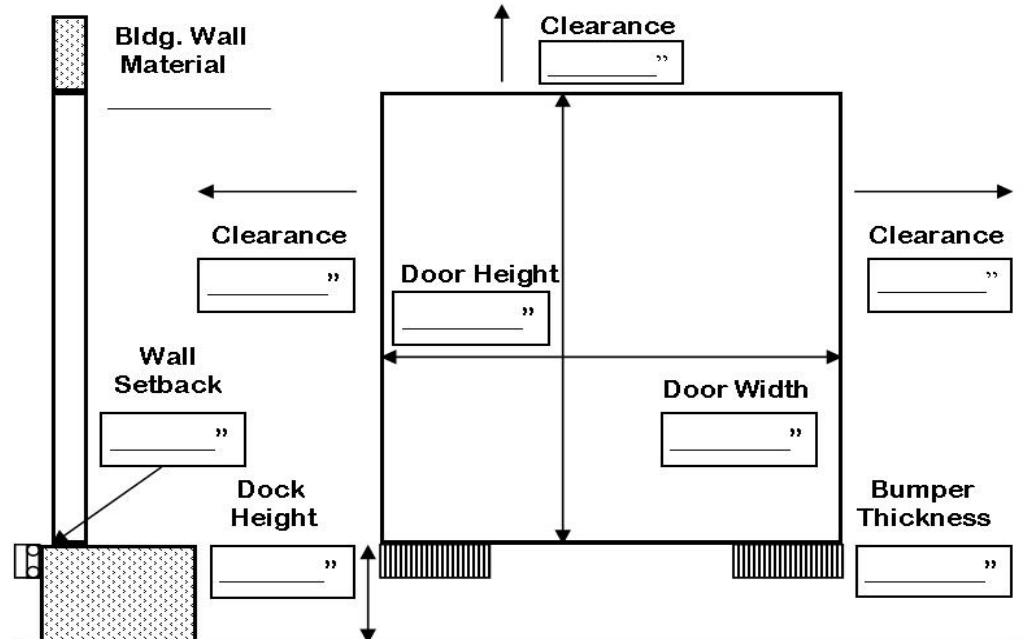
____ Decline Down (1)
Inches of rise over 50' _____ "

____ Level (2)

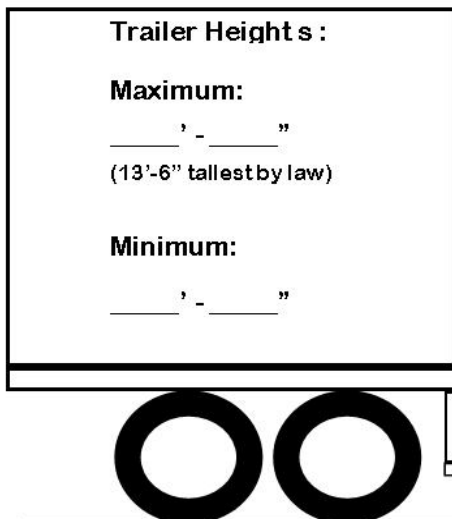
____ Inclined Up (3)

Inches of fall over 50' _____ "

- 1
- 2
- 3



Trucks / Trailers Serviced: ____ Over-the-Road ____ LTL Shipments ____ Refrigerated ____ City Delivery



Trailer Heights :

Maximum:

_____ ' - _____ "
(13'-6" tallest by law)

Minimum:

_____ ' - _____ "

Ledge (Y/N)

_____ "

Special Information / Notes
